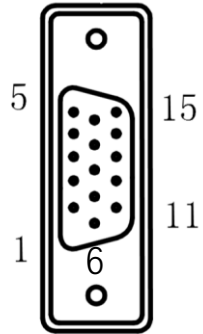


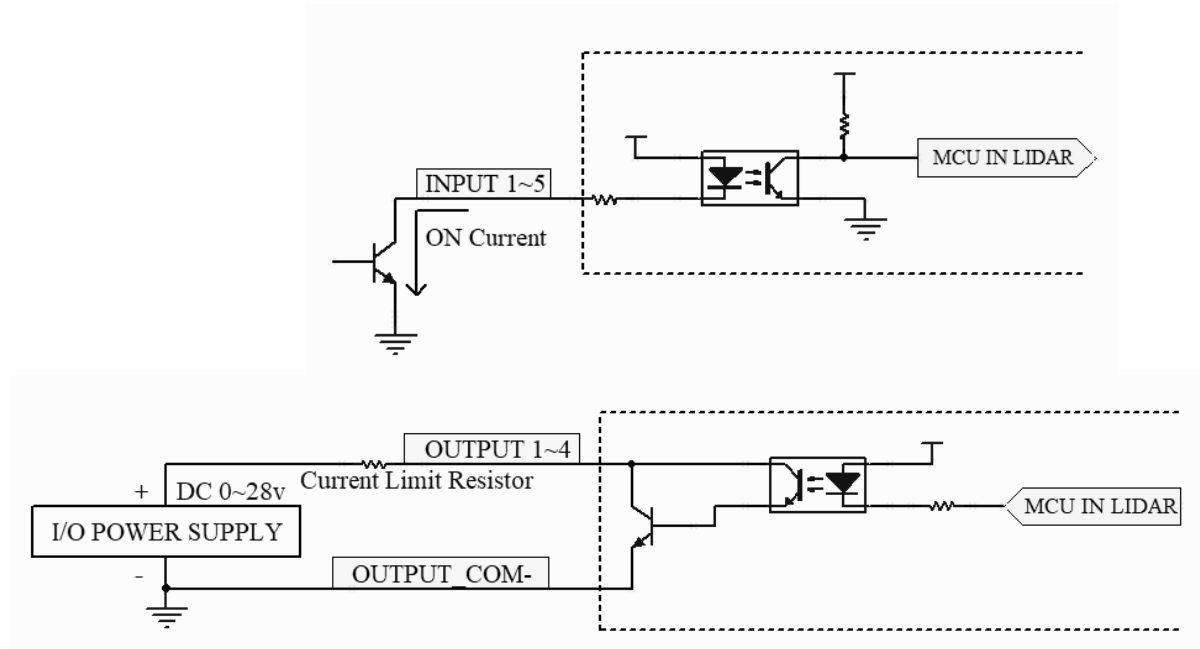
## 15-Pin D-Sub Cable For NPN Output V07

### DB15 Description

1	DC 9~28V	①RED ②RED AND WHITE
2	N.C.	N.C.
3	N.C.	N.C.
4	OUT4/ERROR OUT	YELLOW
5	GND	①BLACK ②BLUE AND WHITE
6	OUTPUT_COM-	PINK
7	INPUT5/STANDBY	BROWN AND WHITE
8	INPUT1	GREEN
9	INPUT2	WHITE
10	INPUT3	BLUE
11	INPUT4	ORANGE
12	OUTPUT1	PURPLE
13	OUTPUT2	GRAY
14	OUTPUT3	LIGHT GREEN
15	N.C.	BROWN



### Typical Connection

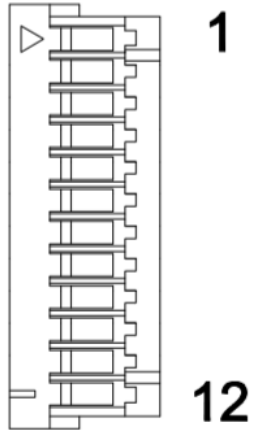


*Note: INPUT should be Hi-Z or GND*

*Output Drive capability DC30V 50mA MAX*

# 1.25mm 12-Pin +VCC+GND Cable For NPN Output V07

## 1.25mm 12-Pin

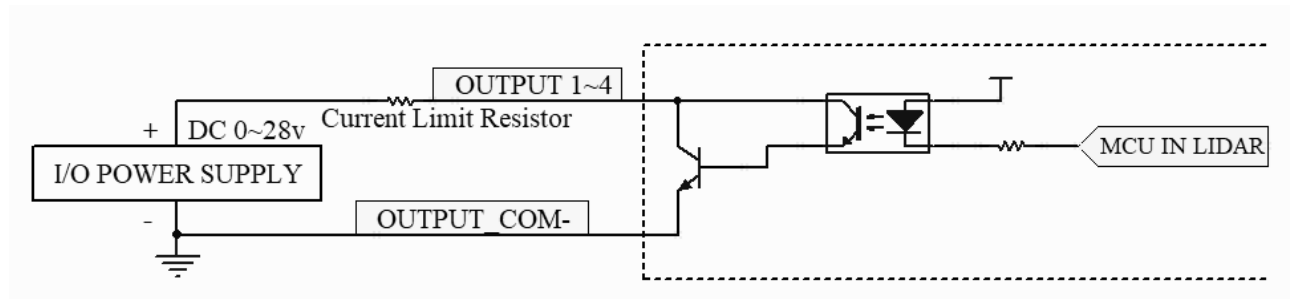
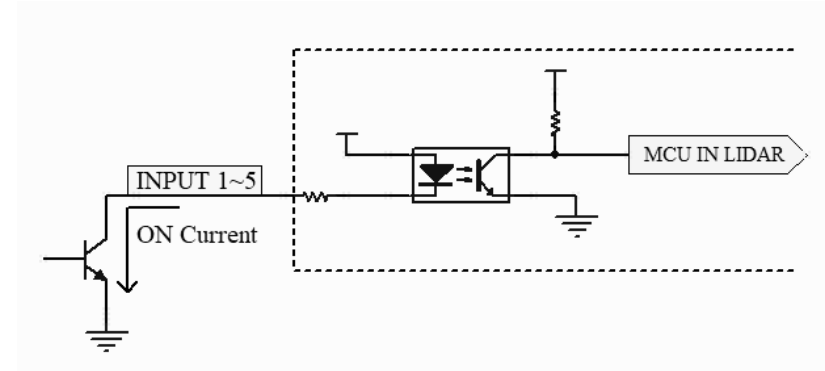


1	INPUT5/STANDBY	BROWN AND WHITE
2	SHIELD	YELLOW AND WHITE
3	OUTPUT_COM-	PINK
4	OUTPUT1	PURPLE
5	OUTPUT2	GRAY
6	OUTPUT3	LIGHT GREEN
7	OUTPUT4	YELLOW
8	N.C.	BROWN
9	INPUT4	ORANGE
10	INPUT3	BLUE
11	INPUT2	WHITE
12	INPUT1	GREEN

## Naked wire

VCC	RED
VCC	RED AND WHITE
GND	BLACK
GND	BLUE AND WHITE

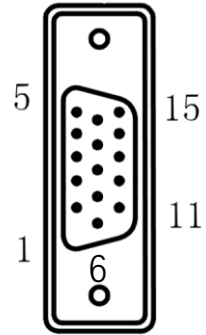
## Typical Connection



*Note: INPUT should be Hi-Z or GND  
Output Drive capability DC30V 50mA MAX*

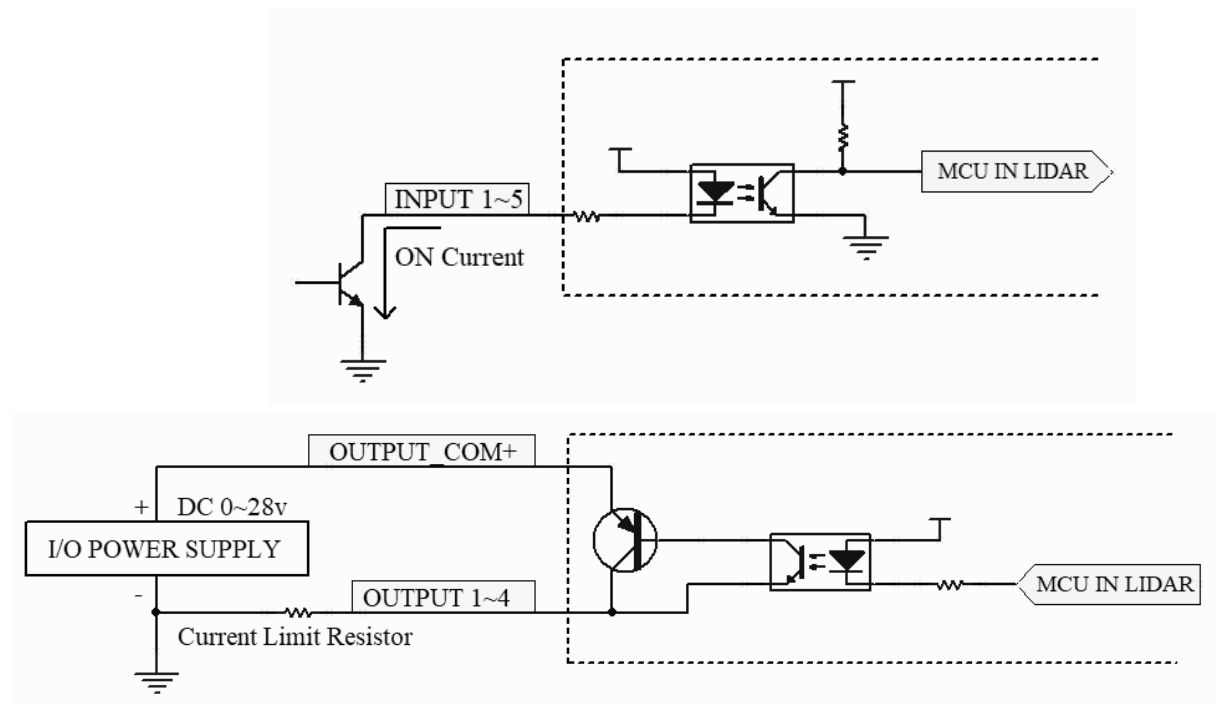
# 15-Pin D-Sub Cable For PNP Output V07

## DB15 Description



1	DC 9~28V	① RED ② RED AND WHITE
2	N.C.	N.C.
3	N.C.	N.C.
4	OUT4/ERROR OUT	YELLOW
5	GND	① BLACK ② BLUE AND WHITE
6	OUTPUT_COM+	PINK
7	INPUT5/STANDBY	BROWN AND WHITE
8	INPUT1	GREEN
9	INPUT2	WHITE
10	INPUT3	BLUE
11	INPUT4	ORANGE
12	OUTPUT1	PURPLE
13	OUTPUT2	GRAY
14	OUTPUT3	LIGHT GREEN
15	N.C.	BROWN

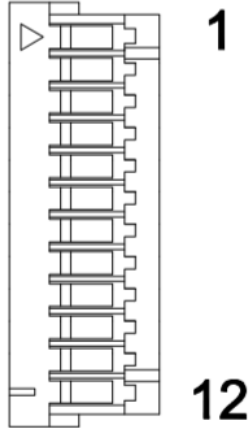
## Typical Connection



*Note: INPUT should be Hi-Z or GND  
Output Drive capability DC30V 50mA MAX*

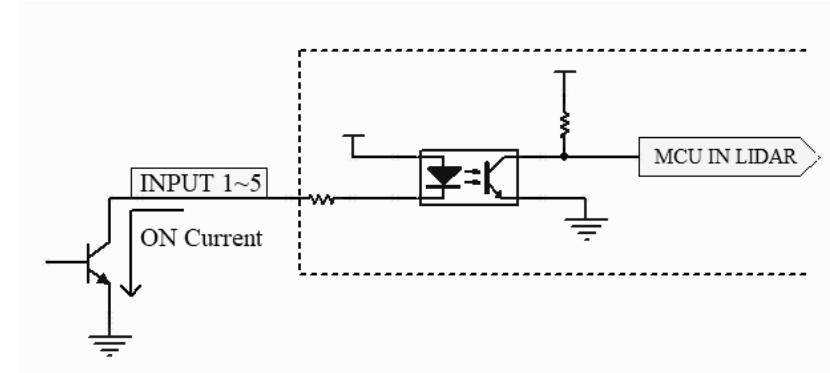
# 1.25mm 12-Pin +VCC+GND Cable For PNP Output V07

## 1.25mm 12-Pin



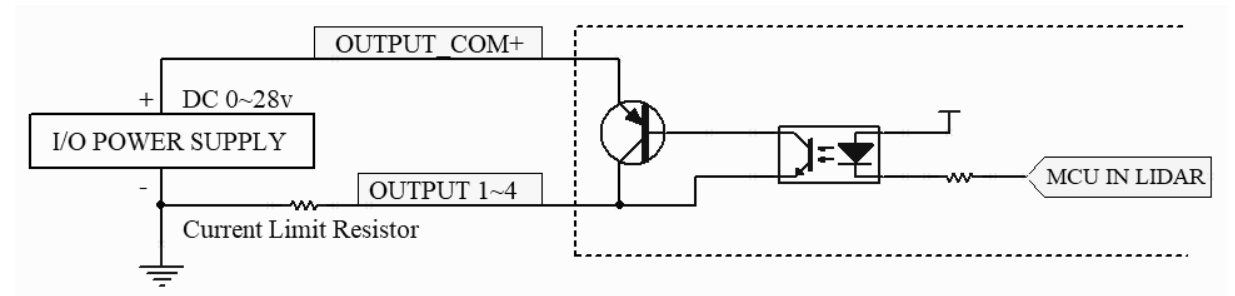
1	INPUT5/STANDBY	BROWN AND WHITE
2	SHIELD	YELLOW AND WHITE
3	OUTPUT_COM+	PINK
4	OUTPUT1	PURPLE
5	OUTPUT2	GRAY
6	OUTPUT3	LIGHT GREEN
7	OUTPUT4	YELLOW
8	N.C.	BROWN
9	INPUT4	ORANGE
10	INPUT3	BLUE
11	INPUT2	WHITE
12	INPUT1	GREEN

## Typical Connection



## Naked wire

VCC	RED
VCC	RED AND WHITE
GND	BLACK
GND	BLUE AND WHITE



*Note: INPUT should be Hi-Z or GND  
Output Drive capability DC30V 50mA MAX*